



## APOLLO Series LED Street Light

***Low-profile design,  
Outstanding performance***

KINGSUN OPTOELECTRONIC CO., LTD.

Address: Hengjiangxia Administration Zone, Changping,  
Dongguan, Guangdong, China 523565

Tel: +86-769-83395678

Fax: +86-769-83395679

\*The product design and specification are subject to change without prior notice.

All rights reserved. Copy prohibited without the permission of Kingsun Optoelectronic co., Ltd.

# Apollo LED Street Light

As the star product series, the Apollo embraces innovative features that are akin to the global product designs. Applied with top grade LED and optical integrated modular system, the Apollo LED Street Light provides tremendous optical performance and outstanding versatility for roadway applications.



**Mechanical Structure**  
Independent led driver compartment



**Modular Design**  
• Easy assembly and maintenance  
• Replaceable and upgradeable  
• Excellent thermal management



**Mounting Interface**  
• Adaptive for standard arm outer diameters  
• Adjustable tenon meet the post/pole top mounting need



**Optics & Photometrics**  
Unique optics solution optimizes the light distribution to comply with road lighting standards



**LED Lamps**  
• High reliability and performance powered by the best LED light source  
• LM-80 compliant  
• 100,000 life time to 70% lumen maintenance



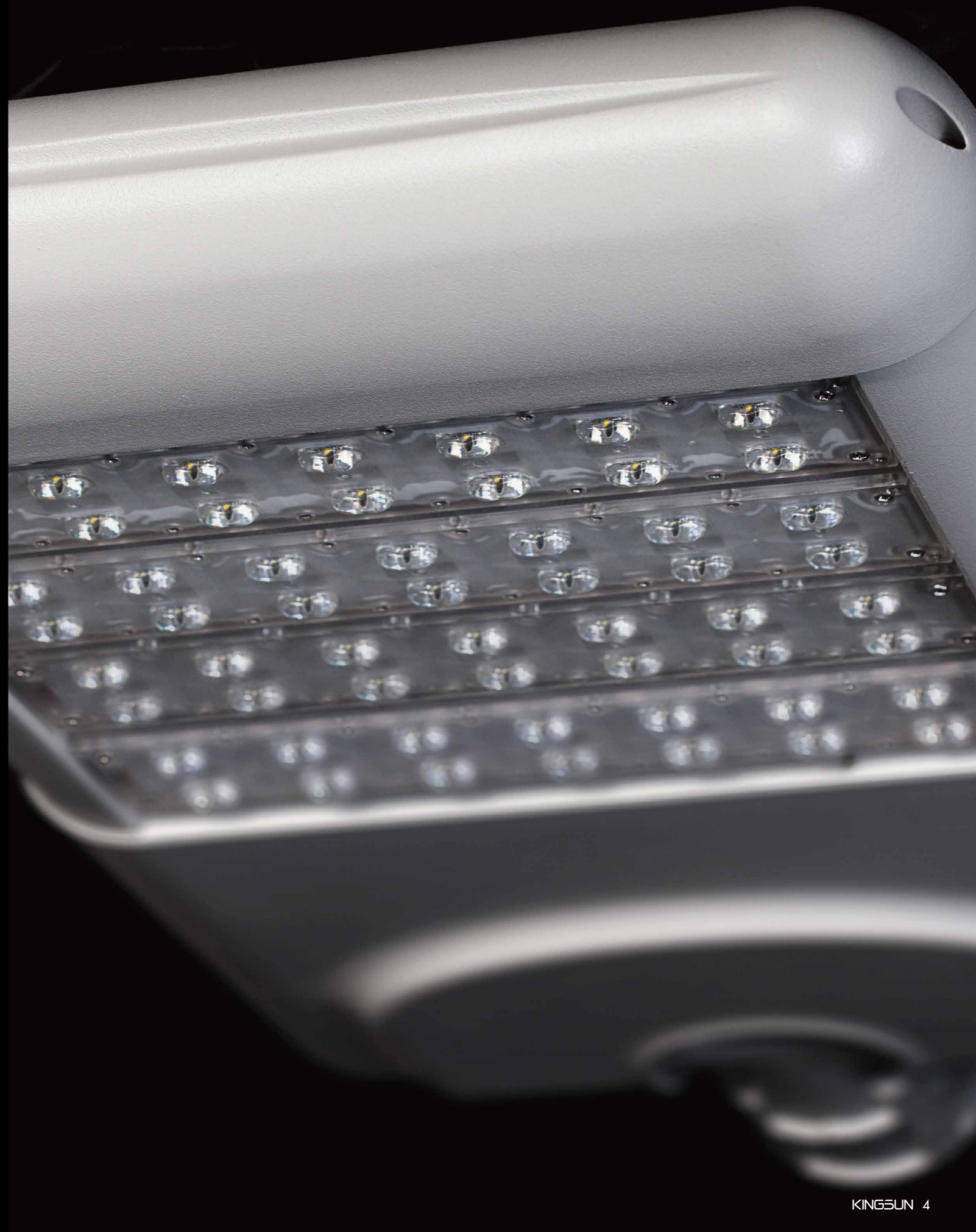
**Power Supply**  
• Worldwide certified  
• Universal input voltage and frequency



**Photocell**  
Available interface for the NEMA photoelectric control unit (PECU)

# Features

- High output lumen efficiency  
>90 lm/W.
- Replaceable and upgradeable modular design.  
Easy assembly, easy installation, and easy maintenance.
- Angle adjustable and applicable different mounting arm.
- Innovative structure of rotating arm branch, applicable for the installation on standard pole of  $\Phi 60$  and horizontally or vertically.
- Photocell Optional.
- Wireless Control  
Optional intelligent wireless lighting management system.



### **Multiple Dimming Options**

0-10V Dimming for Energy Savings

DALI for remote monitoring and reporting and networking

Integrated Dynadim for hassle free, wireless dimming

### **AOC, Thermal Protection and CLO**

AOC- enables the OEM to adjust the lmns and lm/W and lm/\$ based on application and requirement

NTC-Enables the OEM to monitor and maintain warranty

CLO enables for L9950khrs and over all energy savings

### **Diagnostics and Add-On Control-Ready**

Enables the OEM/end user/utilities to access all the lamp parameters, failure data and power consumption info

### **System Warranty and Reliability**

One stop, 5 year Driver+ Module system warranty with 50khrs With <0.01% failure rate

## Optics & Photometrics

LED Color Temperature	3800-4500K / 4750-5650K
Color Rendering Index	Ra > 70
Light Distribution & LENS Kit Options	A2M111 (Type II Medium); A2M113 (Type II Medium-Wide vertical distribution) A3L112 (Type III Long); A3M112 (Type III Medium); S1M111 (Type I Medium)

## Electrical

Input Voltage	120~200~240~277V 50/60Hz (Option: 347~480V 50/60Hz)
Power Factor	>0.95
Drive Current	700mA

Model No	System Power (W)	#of LEDs	Lumen output 5000K (lm)	Weight (Kg)
RL2R1014	33	1 x 14	3100	7.1
RL2R1028	62	2 x 14	5800	8.1
RL2R1042	93	3 x 14	8800	8.7
RL2R1056	123	4 x 14	12300	9.5
RL2R1070	155	5 x 14	15500	10.1
RL2R1084	185	6 x 14	18500	11.8
RL2R1098	216	7 x 14	21600	12.6
RL2R1112	246	8 x 14	24600	13.2
RL2R1126	277	9 x 14	27700	13.9
RL2R1140	308	10 x 14	30800	14.7

## Other

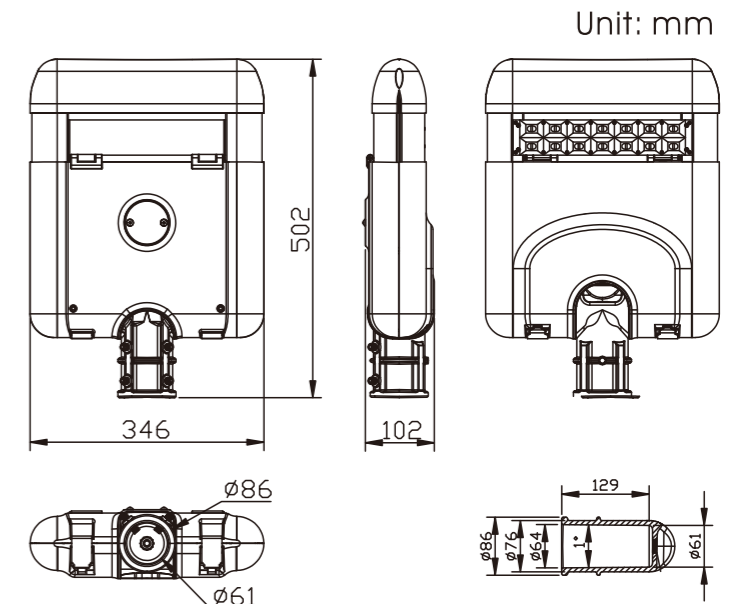
Operating Temperature & Humidity: -40 C ~ 55 C / 10 ~ 95RH
Classification: IP66
L70 hours @25 C : 100,000

## Main components

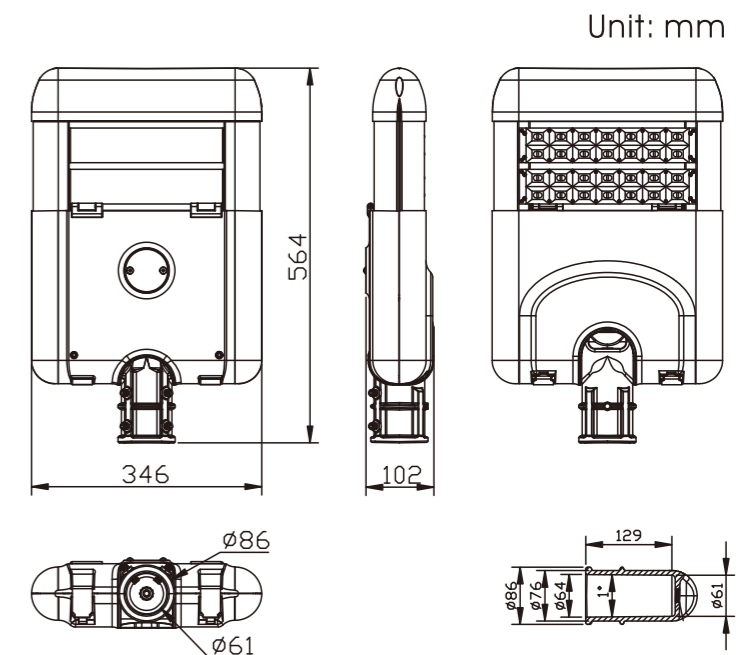
CREE, Lumileds or Osram LEDs + Philips titanium LED Driver(S)
Die cast aluminium alloy housing + Extruded aluminium alloy heatsink



RL2R1014, 30W



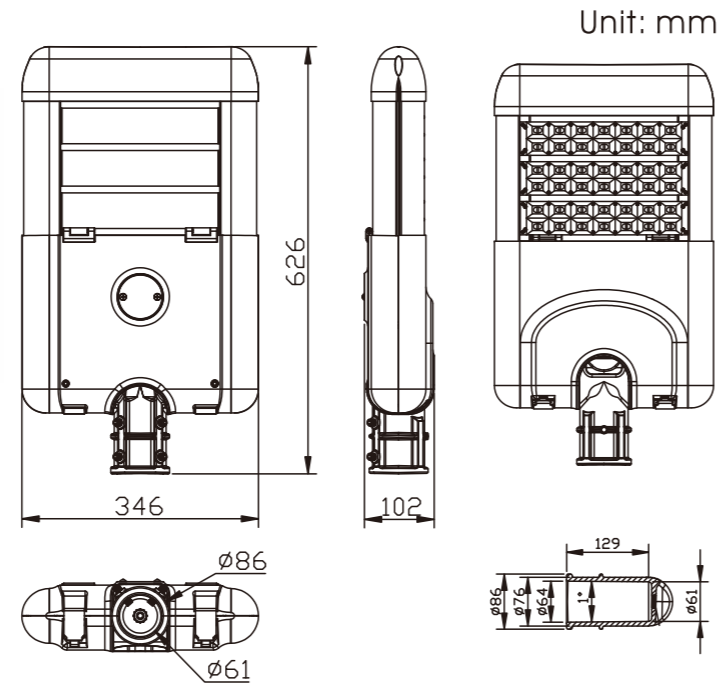
RL2R1028, 60W



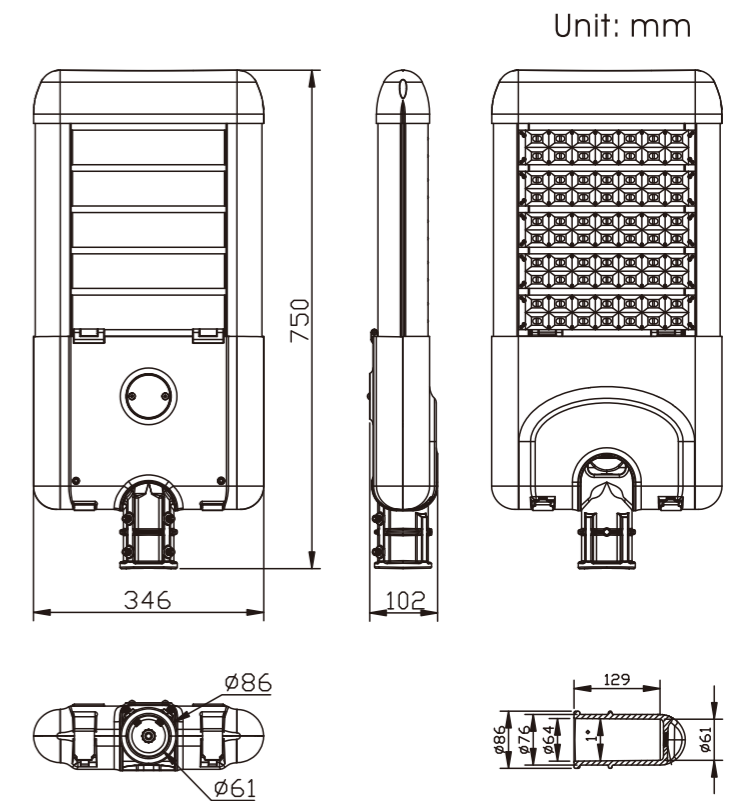
# Product Images and Dimensions



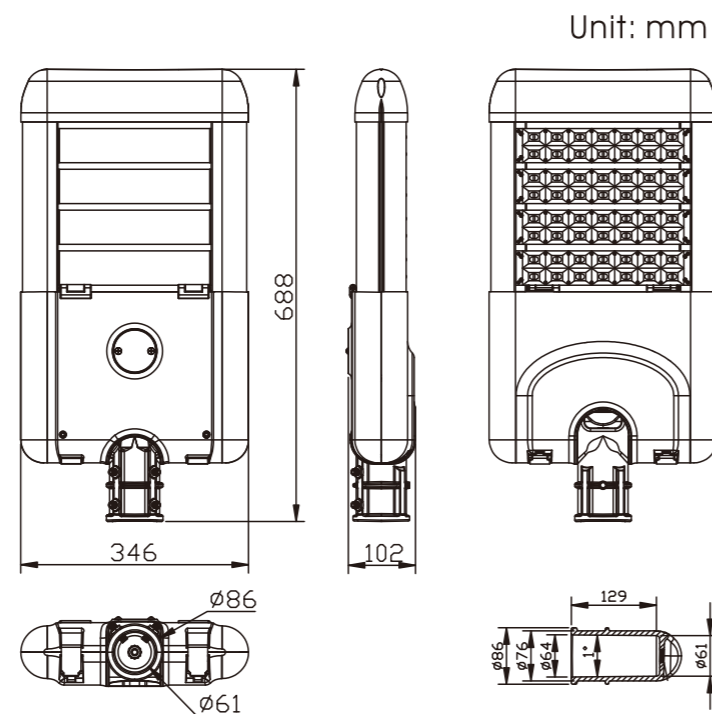
RL2R1042, 90W



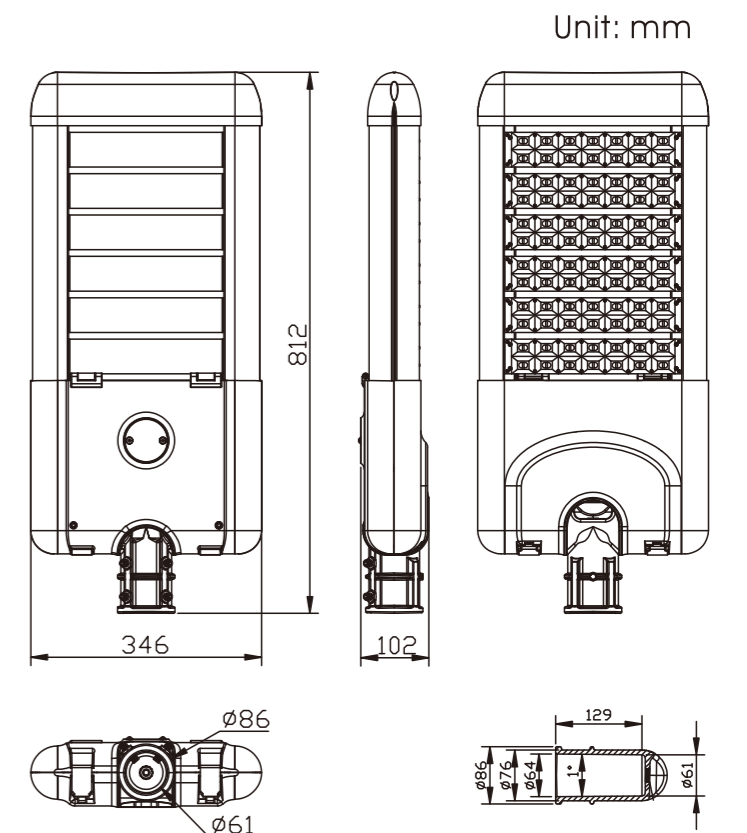
RL2R1070, 150W



RL2R1056, 120W



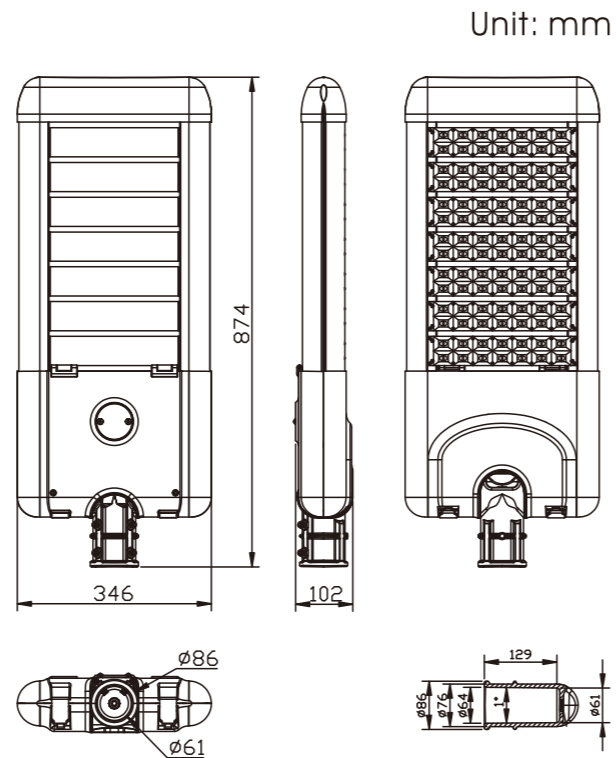
RL2R1084, 180W



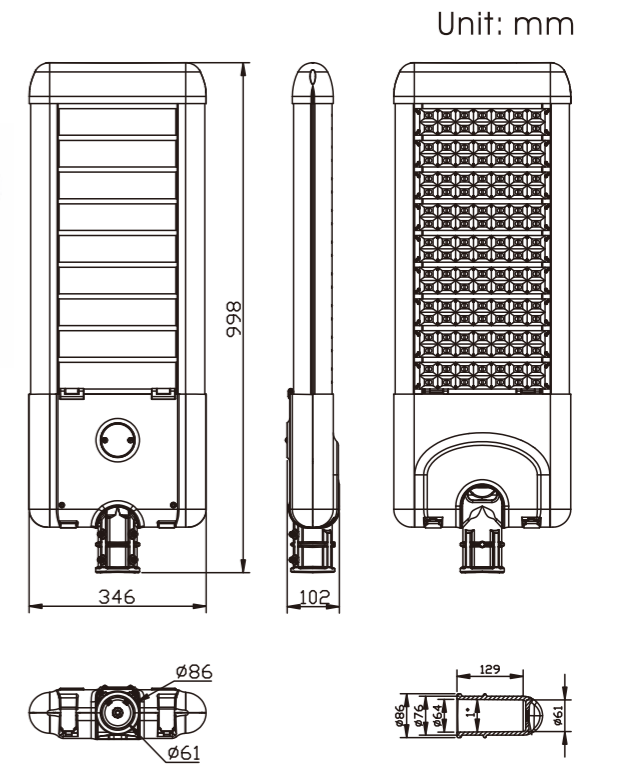
# Product Images and Dimensions



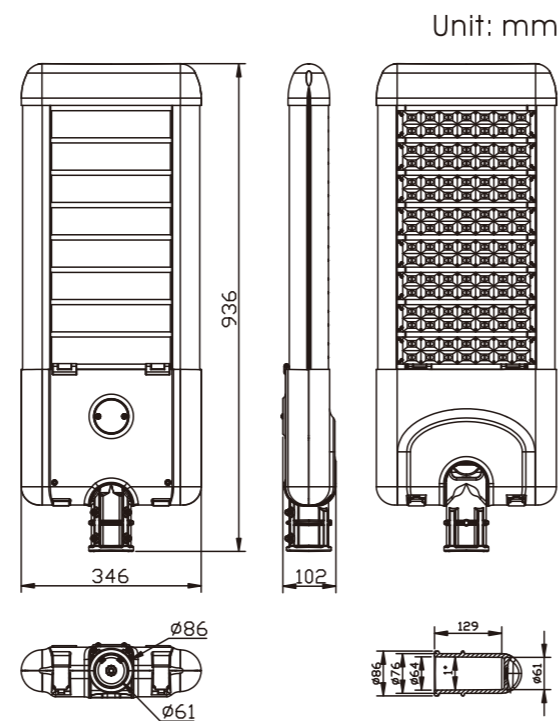
RL2R1098, 210W



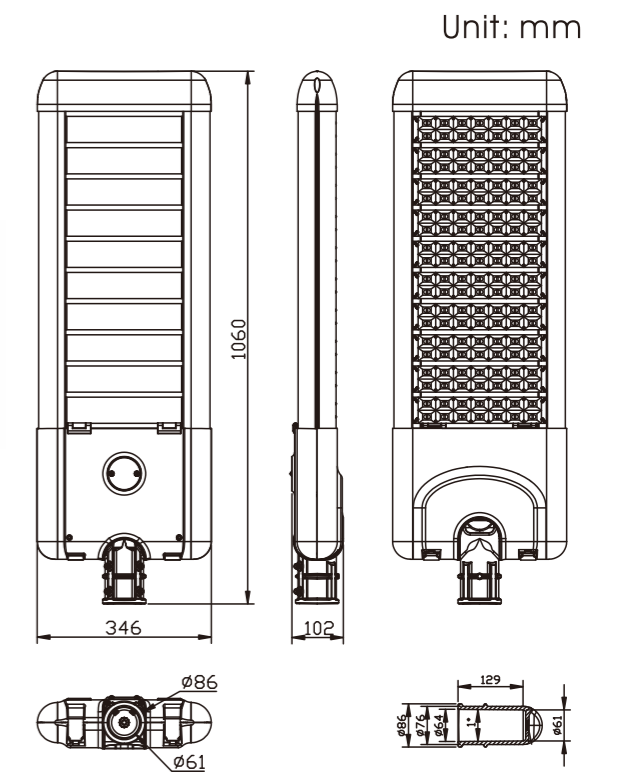
RL2R1126, 270W



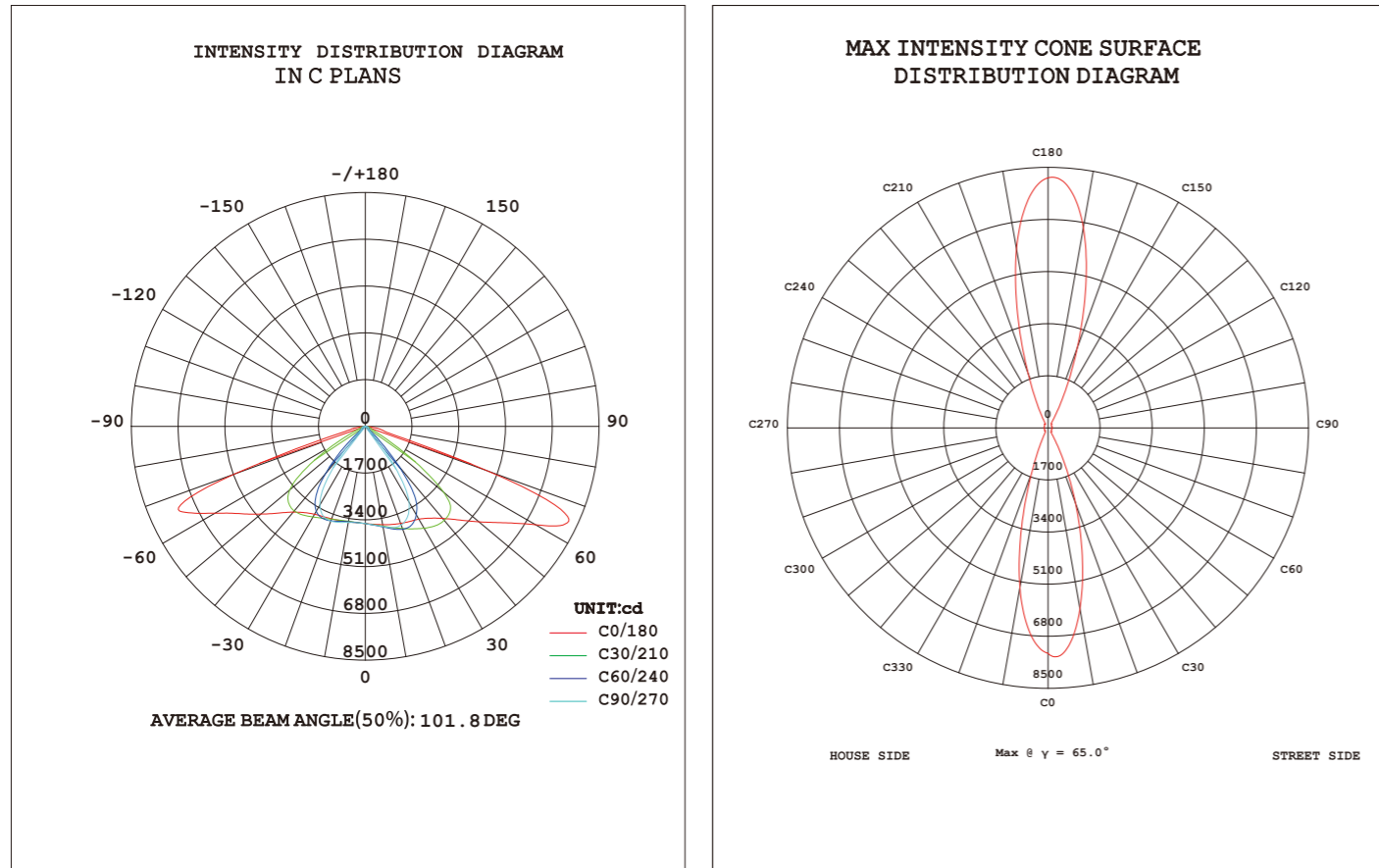
RL2R1112, 240W



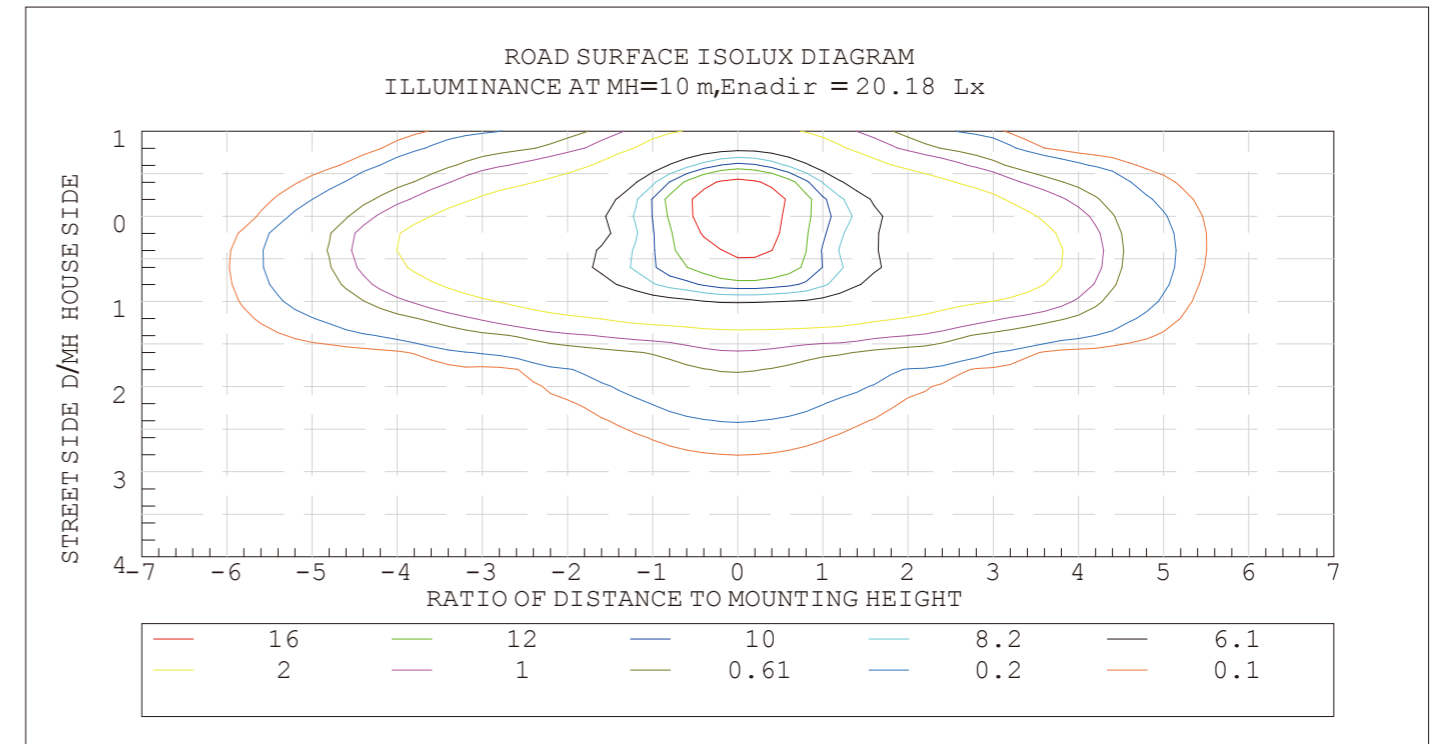
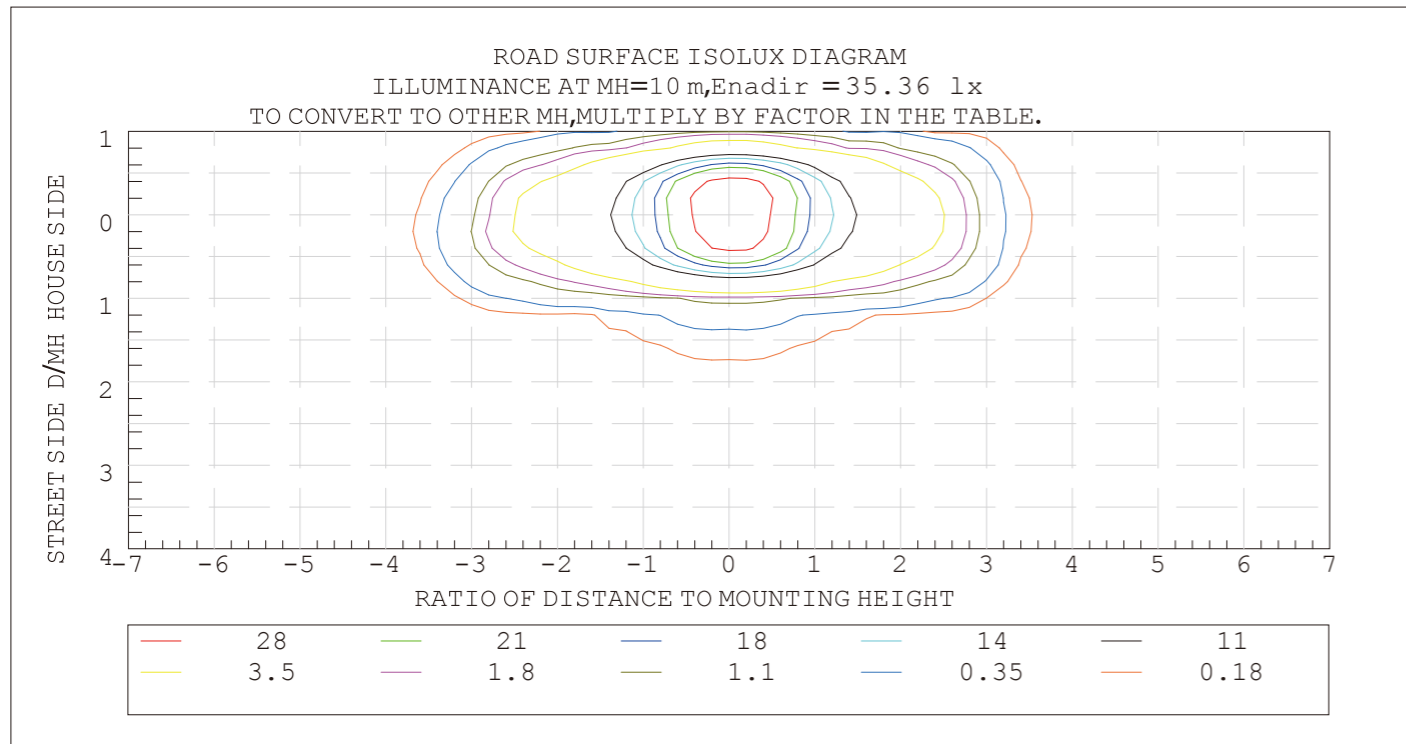
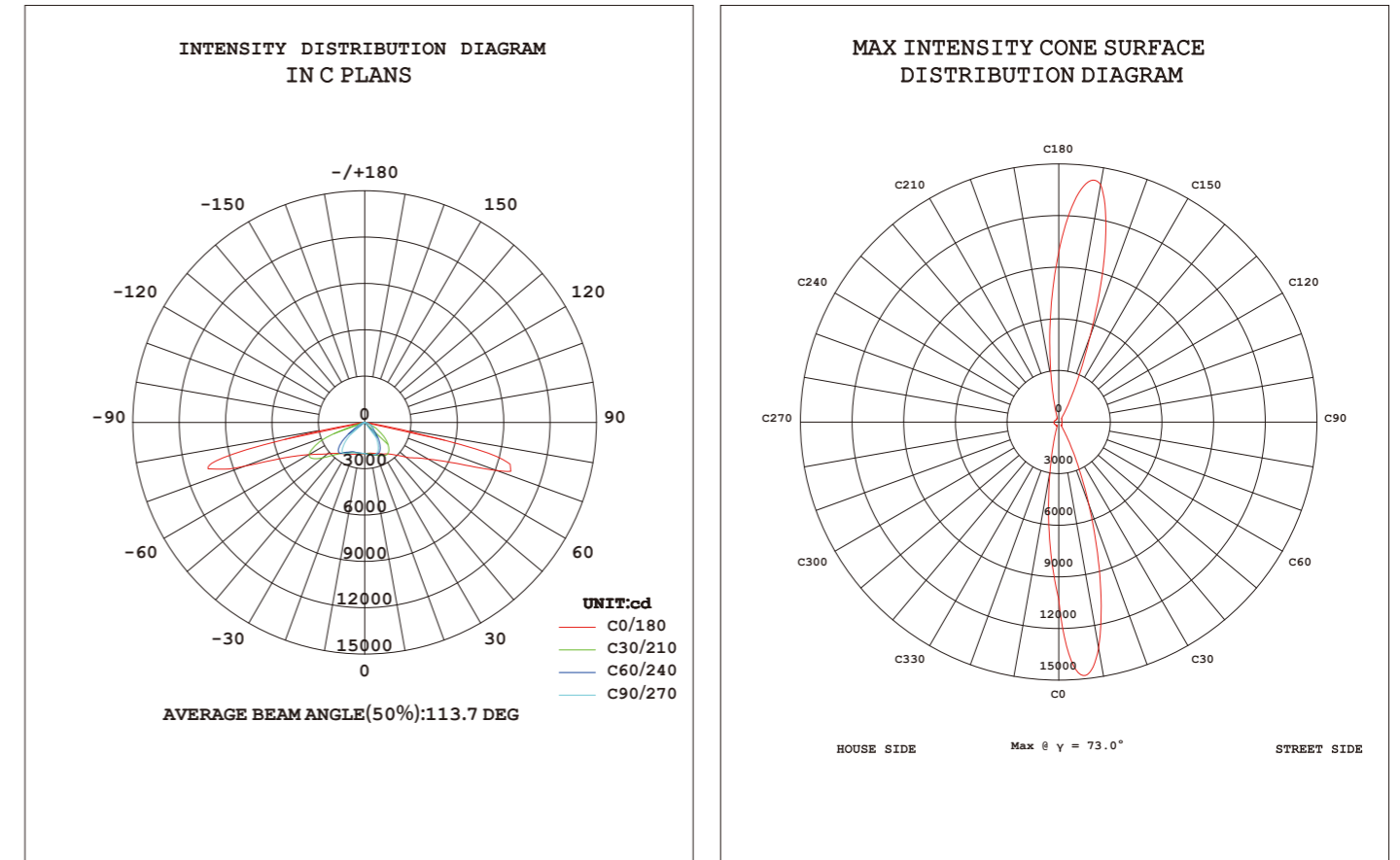
RL2R1140, 300W



Optics code:S1M111 (120W)  
Type I Medium

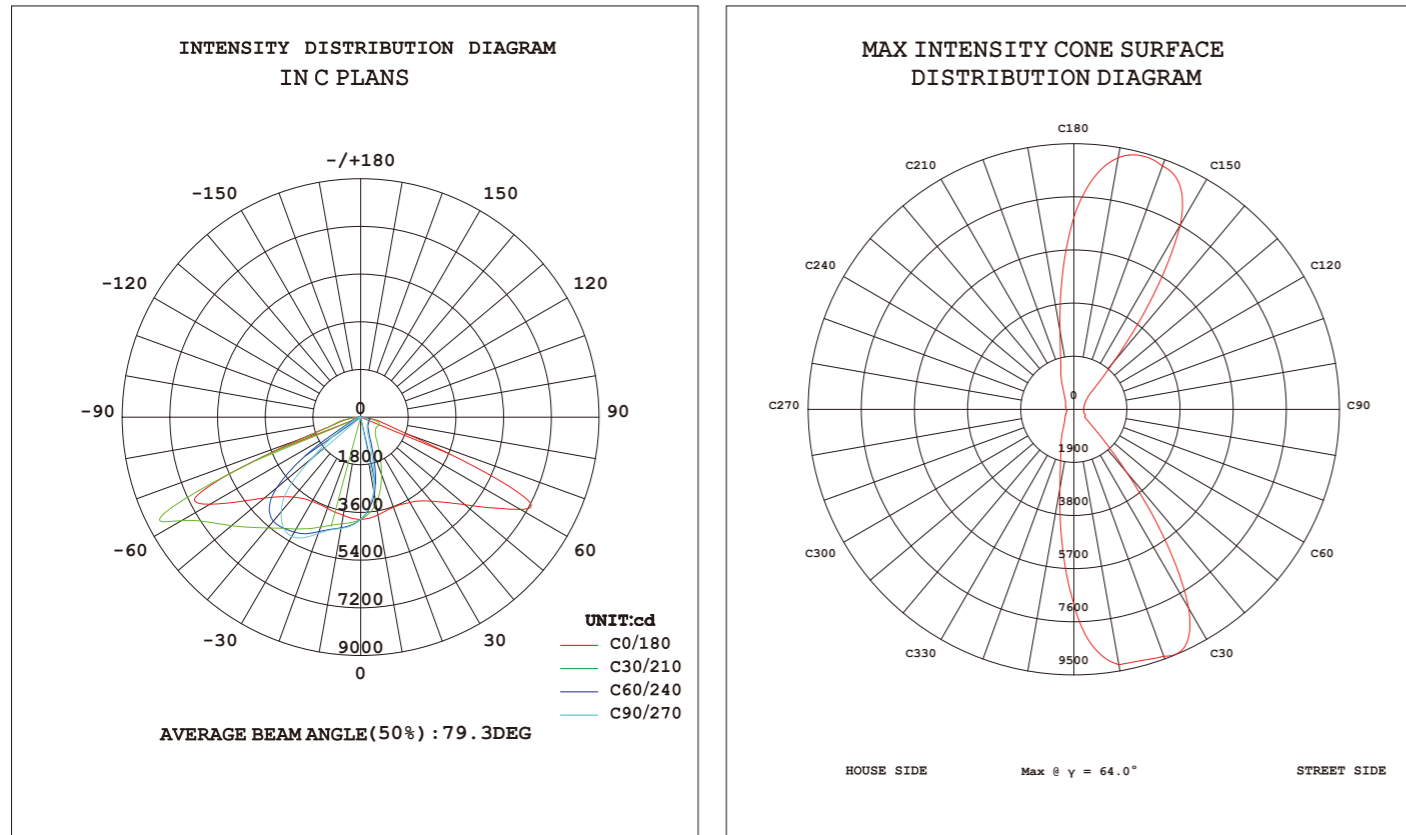


Optics code:A2M111 (120W)  
Type II Medium

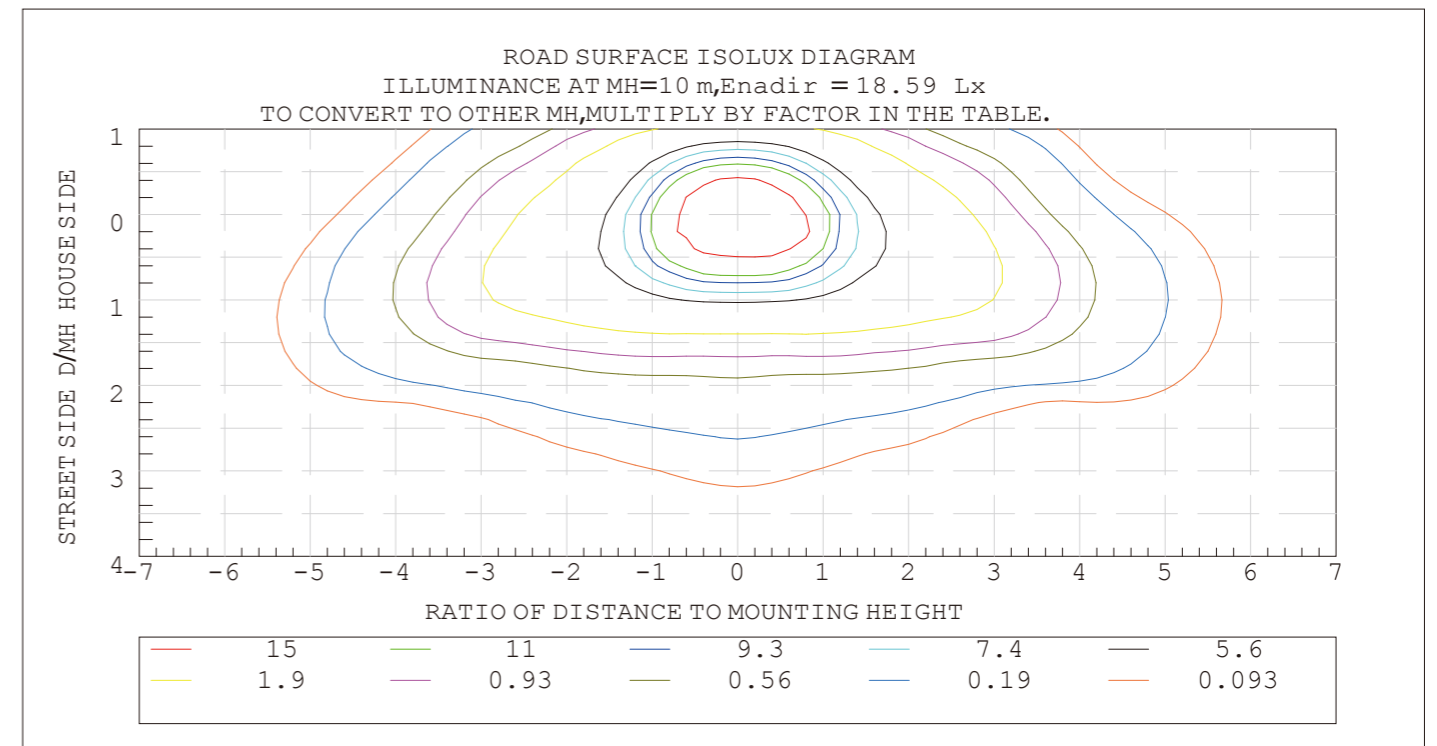
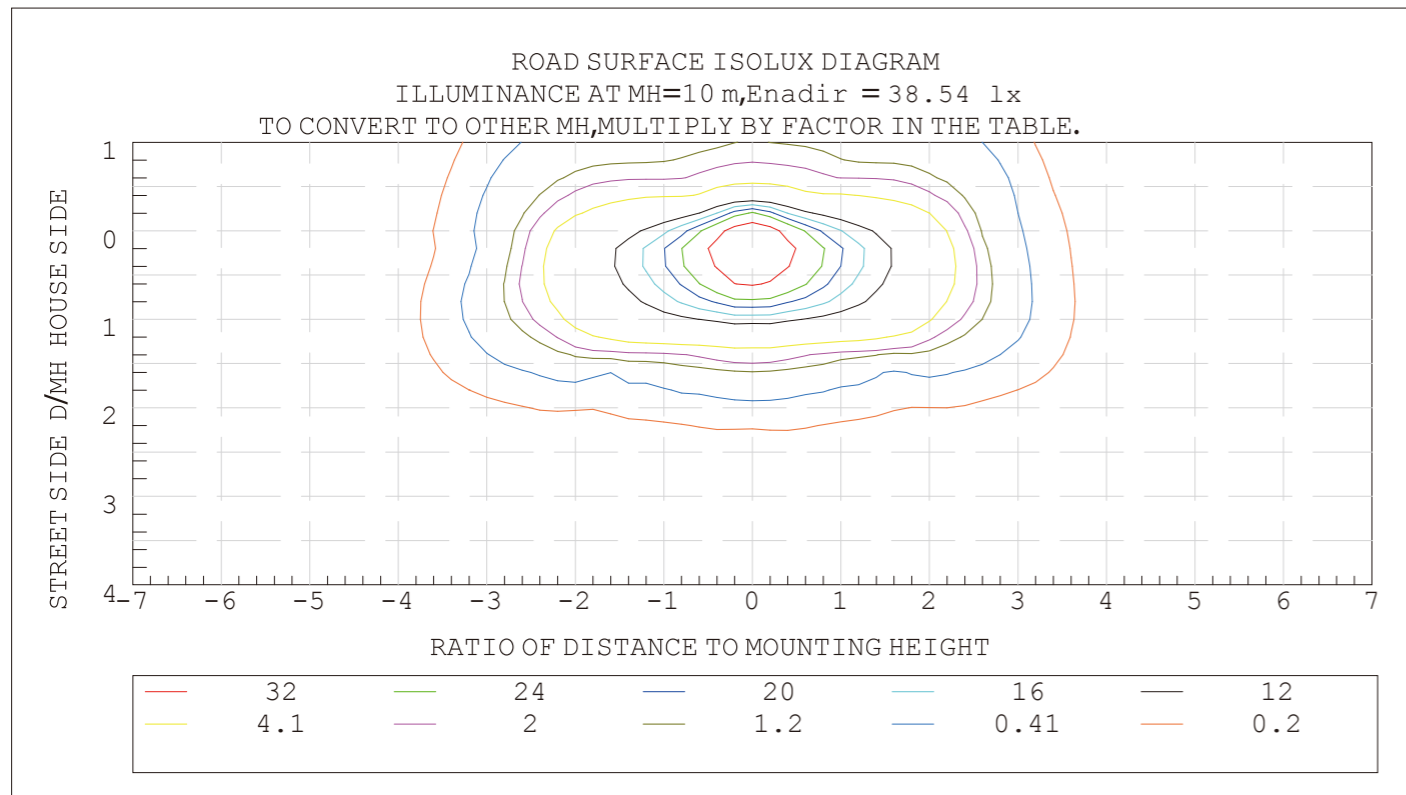
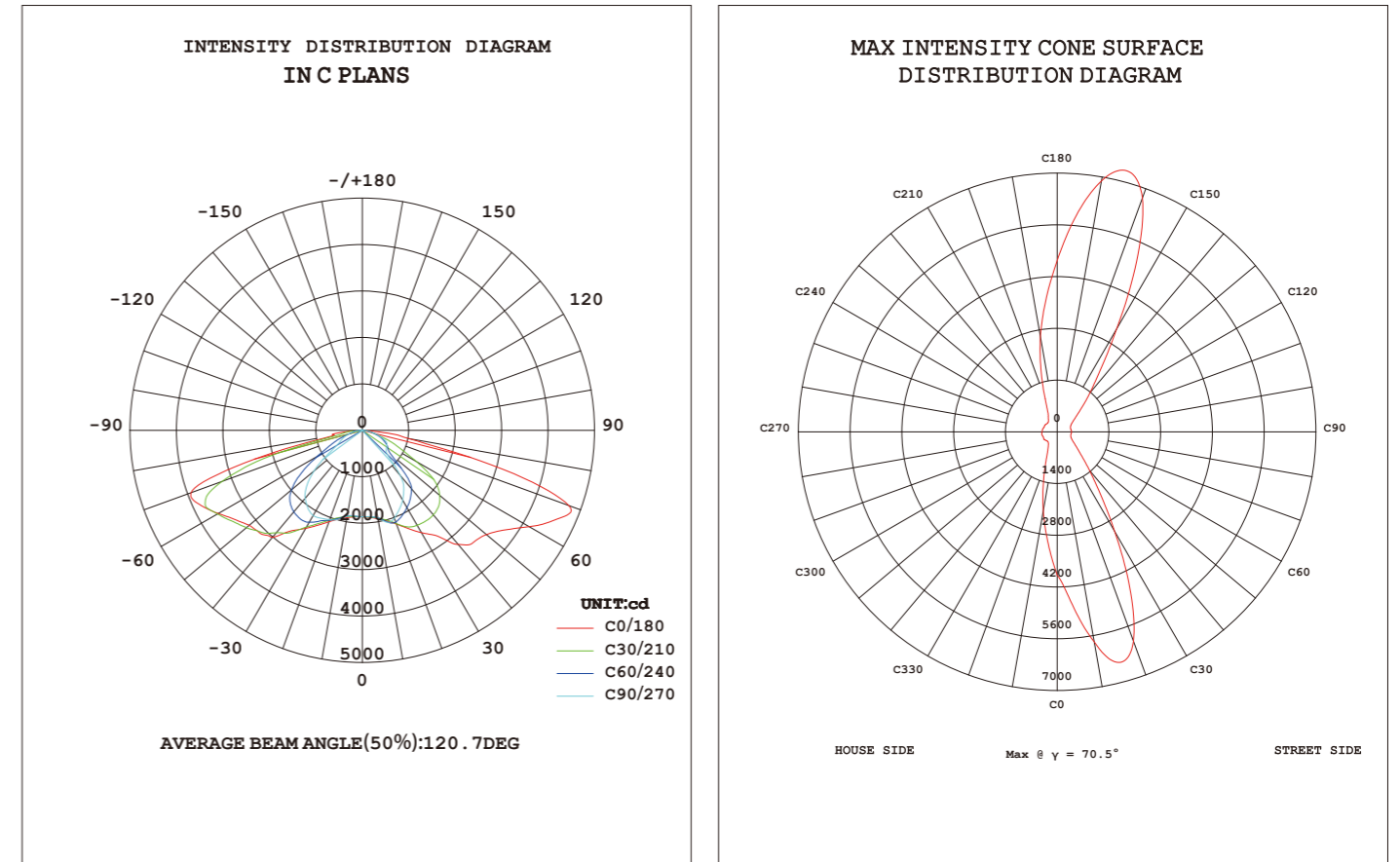




Optics code:A2M113 (120W)  
Type II Medium



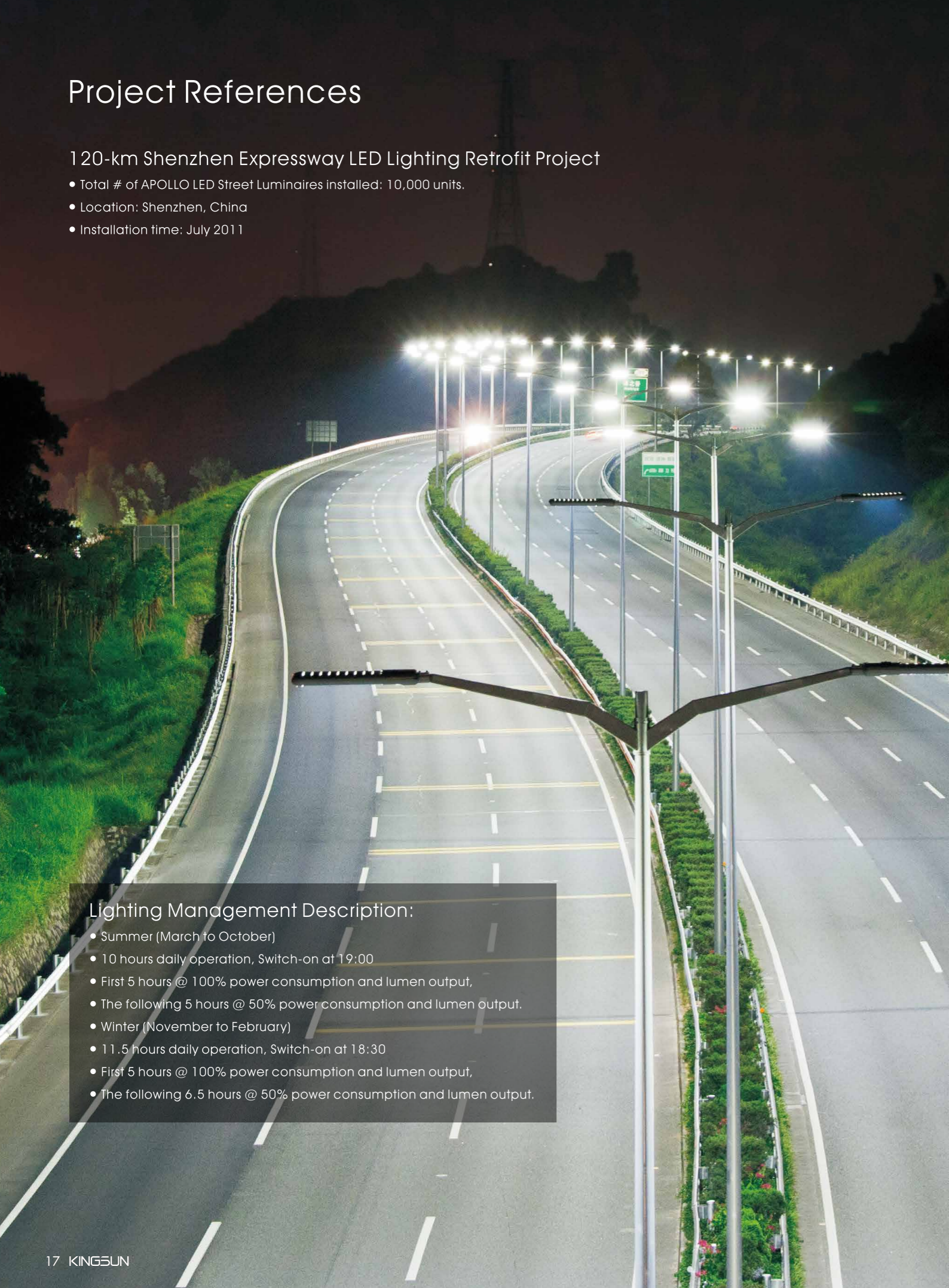
Optics code:A3L112 (120W)  
Type III Long



# Project References

## 120-km Shenzhen Expressway LED Lighting Retrofit Project

- Total # of APOLLO LED Street Luminaires installed: 10,000 units.
- Location: Shenzhen, China
- Installation time: July 2011



### Lighting Management Description:

- Summer (March to October)
  - 10 hours daily operation, Switch-on at 19:00
  - First 5 hours @ 100% power consumption and lumen output,
  - The following 5 hours @ 50% power consumption and lumen output.
- Winter (November to February)
  - 11.5 hours daily operation, Switch-on at 18:30
  - First 5 hours @ 100% power consumption and lumen output,
  - The following 6.5 hours @ 50% power consumption and lumen output.

# Project References - Shenzhen China



## Roadway

- Pole Arrangement: 3.5 meters Median stripe
- Pole Type: 1 pole with 2 arms
- Road width: 3 x 3.75 m + 1 x 2.75 m
- Typical Mounting height: 13 meters
- Typical Pole Spacing: 40 meters
- Boom Length: 1.5 meters
- Tilting: 0°
- Optics and photometrics: A3L112 lens kit, IESNA Type III Long
- Wattage of the installed led street luminaire: 270W
- Maintained Average illuminance(Eav): ≥20 lux
- Longitudinal Uniformity (UI): ≥0.5



## Ramp

- Pole Arrangement: One sided
- Road width: 10.5 m or 8.5 m
- Typical Mounting height: 9 meters
- Typical Pole Spacing: 30 meters
- Boom Length: 1.5 meters
- Tilting: 0°
- Optics and photometrics: A3L112 lens kit, IESNA Type III Long
- Wattage of the installed led street luminaire: 180W
- Maintained Average illuminance(Eav): 13 lux
- Longitudinal Uniformity (UI): ≥0.4



## Roads Intersection

- Wattage of the installed led luminaire: 300W
- Typical Mounting height: 20 / 30 /35 meters
- Tilting: 0°
- Maintained Average illuminance(Eav): ≥20 lux
- Optics and photometrics: A3L112 and A4S112 lens kits combination, i.e. IESNA Type III Long and Type IV Short light distributions combination.



## 17-km roadways LED Lighting Retrofit Project

- 1000 LED Street Luminaires installed
- Location: Karak Highway in Kuala Lumpur, Malaysia
- Installation time: January 2011



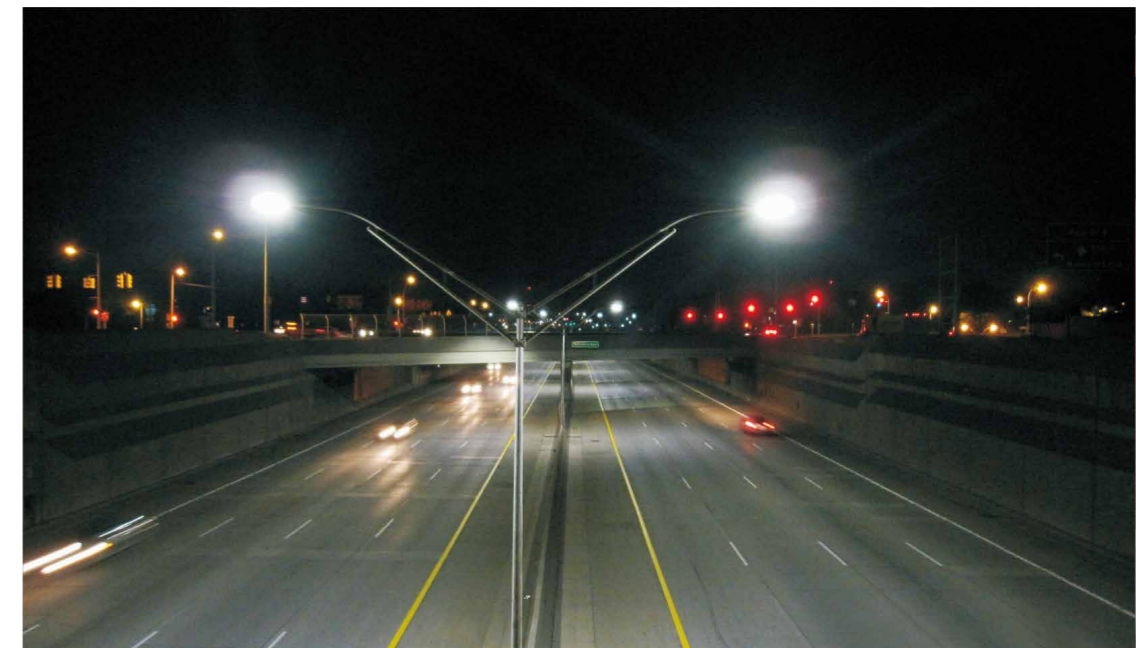
## LED Lighting Retrofit Project

- Total # of LED Street Luminaires installed: 600 units 90W LED Street Lights replacing 600 units 250W HPS lamps.
- Location: Alicante City, Spain.
- Installation time: September 2010.



## Whole City LED Lighting Retrofit Project

- 25,000 APOLLO LED Street Luminaires installed
- Location: Cartagena, Colombia
- Installation Time: September 2013



## Highway LED Lighting Retrofit Project

- 400 units 180W APOLLO LED Street Luminaires installed
- Location: Interstate # 696 in Detroit, Michigan
- Installation time: March 2012

# Project References



TOYOTA Car Dealership, Canada



Oil Refinery Canada



Apollo Solar Street Light Project, Canada



Abu Dhabi, Middle East

# Project References



Moscow, Russia



Golf Course, Alicante, Spain



Kaluga, Russia



Beer factory-Extrella de Levante, Spain

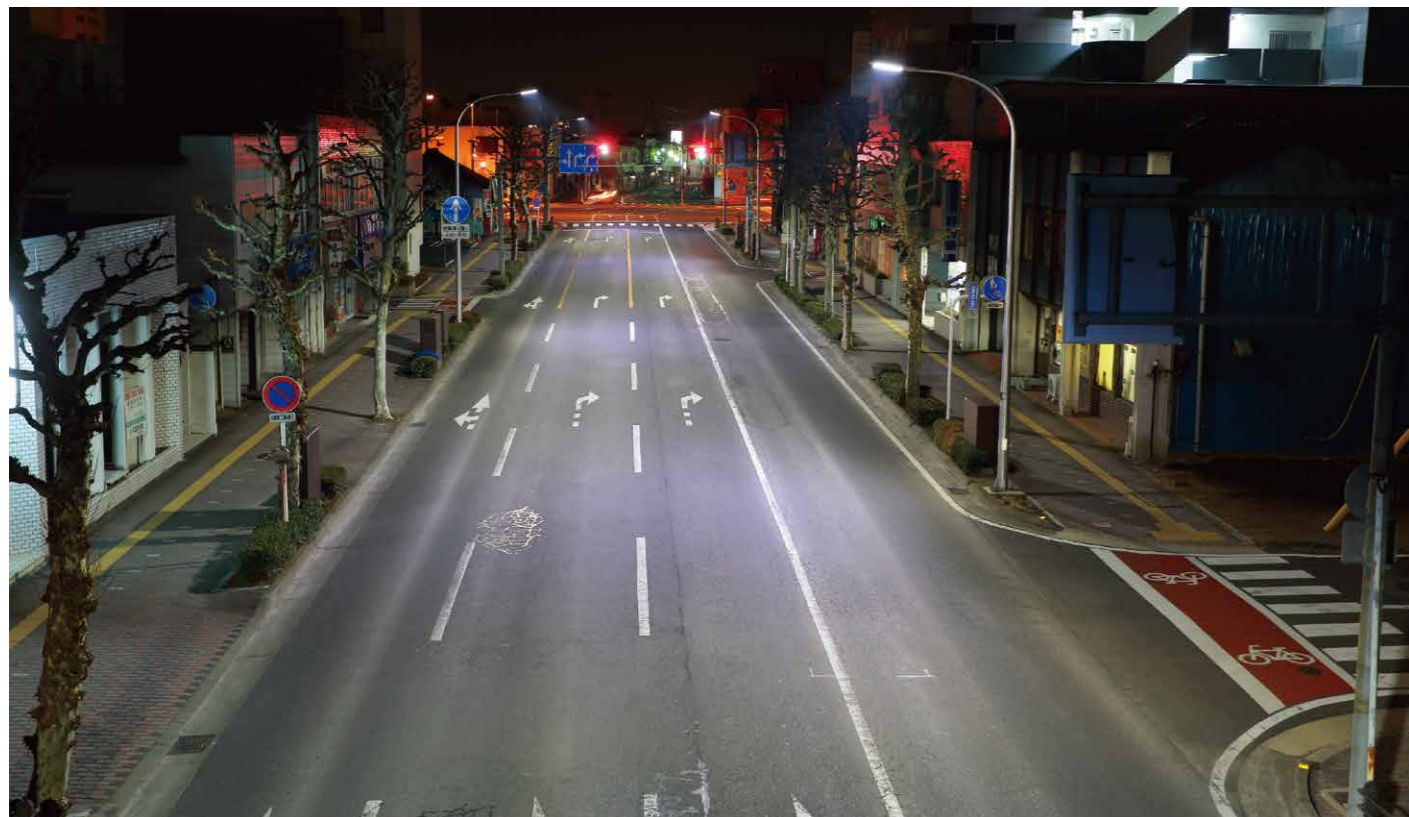
# Project References



Gunma, Japan



New Jersey Parking Lot Project, U.S.



Gunma, Japan



New Zealand