

Coliseum Series High Mast



IP 65 Working Temp: -40°C-55°C Working Humidity: ≤ 95%

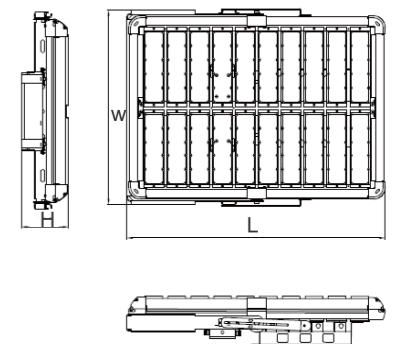
Light Sources & Optics

| | |
|-----------------------|-------------------------------------|
| Light Source | Lumileds / Cree |
| Color Temperature | 4,000K (Options: 3,000K and 5,000K) |
| Color Rendering Index | Ra>70 |
| L80 Lifetime @ 85°C | >55,000 hours |
| Optic Lens | Polycarbonate |

Electronics

| | |
|------------------|--|
| Input Voltage | 120-277Vac,50/60Hz; 220-240Vac,50/60Hz |
| Power Factor | >0,95 |
| Dimming | Non-dimming / 1-10V |
| Surge Protection | 10KV,20KV |

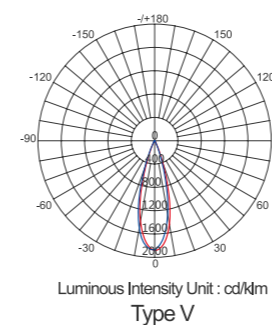
Dimensional Drawings



Ordering Information

| Name | Model | Power (W) | Q'ty of Module | Flux (lm) | Dimension (mm) |
|----------|----------|-----------|----------------|-----------|----------------|
| Coliseum | FL342806 | 300 | 6 | 33,000 | L278×W680×H160 |
| | FL342808 | 400 | 8 | 44,000 | L505×W680×H160 |
| | FL342812 | 600 | 12 | 66,000 | L645×W680×H160 |
| | FL342816 | 800 | 16 | 88,000 | L785×W680×H160 |
| | FL342820 | 1000 | 20 | 110,000 | L925×W680×H160 |

Light Distribution Curve



Description

Coliseum LED High Mast Lighting is a tailor-made extensible modular design which used in stadium and other large space lighting, its excellent heat dissipation, higher LED performance and great lighting distribution uniformity is well recognized by cooperated customers all over South America and other markets.

The optical lens are designed dedicatedly, glare-free protects sportsman's eyes and insures TV broadcasting, the 360 ° adjustable mounting U-bracket is flexible for the installation, angle adjustment and easy for future possible maintainance.